

YOUTH CLASS—Traditional Exhibits

- ◆ All Florence County youth, may enter exhibits in the fair. Youth class is defined as:
- ◆ Children under the age of 5, can only enter exhibits listed in Department 17a below.
- ◆ Children ages 5-6 may only enter exhibits listed in Department 17 Classes B through H below.
- ◆ Any child having completed first grade, through grade 12, may enter the rest of the exhibits listed as Youth Class: Departments 1-16 and 18-34.
- ◆ Registration is FREE.
- ◆ Pre-Registration is until August 10.
- ◆ Those pre-registered will have their entry tags printed and waiting for them when they come to drop off their exhibits.
- ◆ Pre-registered exhibitors may still add or remove items from their registration form when they bring their items to the fair.
- ◆ Anyone pre-registered for their fair exhibits will receive a coupon for a free treat from Lydia's fair kitchen.
- ◆ Entries will be accepted after August 10, but it is requested that after August 10, you email your entries or bring your entry form with you to the fair on August 22. All items must be registered by August 22.
- ◆ Mail to: Jessica Klumpp, Executive Director
P.O. Box 704
Florence, WI 54121
- ◆ E-mail to: florencecountyfair@hotmail.com

Traditional Exhibits that can be entered by Florence County Kids: Ages 7-17, grades 1st-12th

DEPARTMENT 18: CULTURAL ARTS

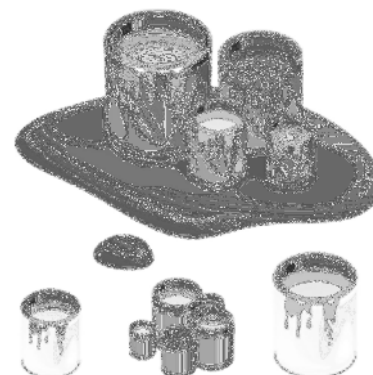
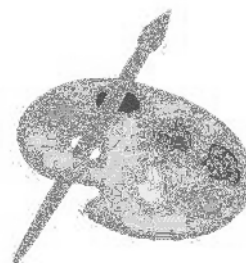
- ◆ Artwork may be hung up for display using tape
- ◆ Artwork on paper may be matted or mounted to paper or poster board
- ◆ Posters should be size appropriate for display with maximum size of 14"x22"
- ◆ School Projects are accepted
- ◆ Premiums for Cultural Arts:
1st place: \$2.50; 2nd place: \$2.25; 3rd place: \$2.00; 4th place: \$1.75

CLASS A — CLAY & CERAMICS

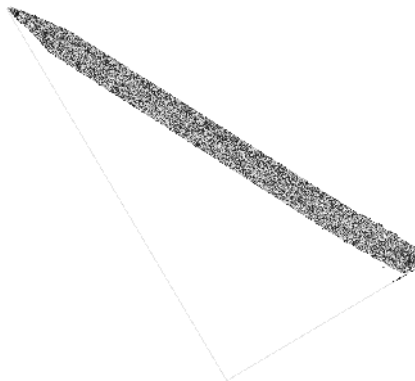
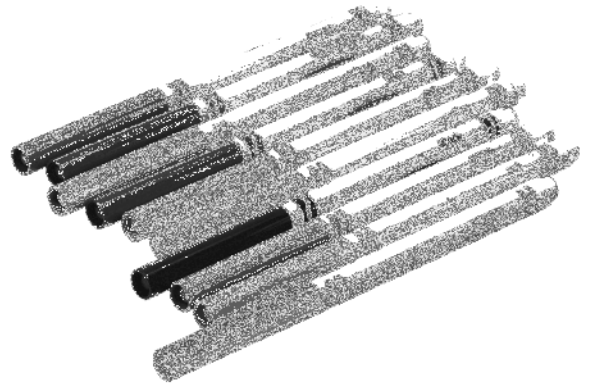
- 18 A 1 Dry brushed piece
- 18 A 2 Glazed ceramic piece
- 18 A 3 Glazed clay piece
- 18 A 4 Hand built clay pot
- 18 A 5 Hand built clay sculpture
- 18 A 6 Pour and paint item, container
- 18 A 7 Pour and paint item, figure
- 18 A 8 Pour and paint item, other
- 18 A 9 Pre-molded glaze ware piece
- 18 A 10 Stained ceramic piece
- 18 A 11 Thrown piece
- 18 A 12 Any other clay or ceramic project not listed

CLASS B — DRAWING & PAINTING

- 18 B 1 Acrylic, scene
- 18 B 2 Acrylic, still object
- 18 B 3 Acrylic, whimsical
- 18 B 4 Acrylic, any other not listed
- 18 B 5 Charcoal, scene
- 18 B 6 Charcoal, still object
- 18 B 7 Charcoal, whimsical
- 18 B 8 Charcoal, any other not listed
- 18 B 9 Colored pencil, scene
- 18 B 10 Colored pencil, still object
- 18 B 11 Colored pencil, whimsical
- 18 B 12 Colored pencil, any other not listed
- 18 B 13 Crayon, scene
- 18 B 14 Crayon, still object
- 18 B 15 Crayon, whimsical
- 18 B 16 Crayon, any other not listed
- 18 B 17 Engraving/Scratch Art, scene
- 18 B 18 Engraving/Scratch Art, still object



- 18 B 19 Engraving/Scratch Art, whimsical
- 18 B 20 Engraving/Scratch Art, any other not listed
- 18 B 21 Felt tip, scene
- 18 B 22 Felt tip, still object
- 18 B 23 Felt tip, whimsical
- 18 B 24 Felt tip, any other not listed
- 18 B 25 Oil, scene
- 18 B 26 Oil, still object
- 18 B 27 Oil, whimsical
- 18 B 28 Oil, any other not listed
- 18 B 29 Paint by number, scene
- 18 B 30 Paint by number, still object
- 18 B 31 Paint by number, whimsical
- 18 B 32 Paint by number, any other
- 18 B 33 Pastel, scene
- 18 B 34 Pastel, still object
- 18 B 35 Pastel, whimsical
- 18 B 36 Pastel, any other
- 18 B 37 Pencil sketch, scene
- 18 B 38 Pencil sketch, still object
- 18 B 39 Pencil sketch, whimsical
- 18 B 40 Pencil sketch, any other not listed
- 18 B 41 Pencil shading, scene
- 18 B 42 Pencil shading, still object
- 18 B 43 Pencil shading, whimsical
- 18 B 44 Pencil shading, any other not listed
- 18 B 45 Pen & ink sketch, scene
- 18 B 46 Pen & ink sketch, still object
- 18 B 47 Pen & ink sketch, whimsical
- 18 B 48 Pen & ink sketch, any other not listed
- 18 B 49 Tempura, scene
- 18 B 50 Tempura, still object
- 18 B 51 Tempura, whimsical
- 18 B 52 Tempura, any other not listed
- 18 B 53 Watercolor, scene
- 18 B 54 Watercolor, still object
- 18 B 55 Watercolor, whimsical
- 18 B 56 Watercolor, any other not listed
- 18 B 57 Watercolor pencil, scene
- 18 B 58 Watercolor pencil, still object
- 18 B 59 Watercolor pencil, whimsical
- 18 B 60 Watercolor pencil, any other not listed
- 18 B 61 Any other artwork not listed

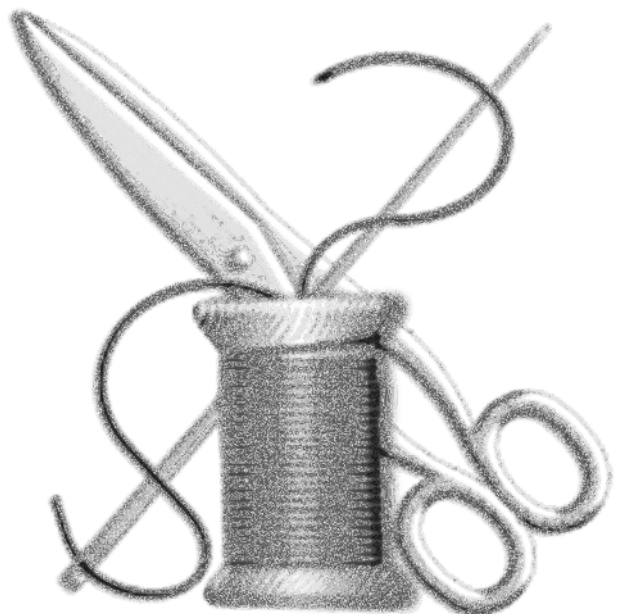


CLASS C — FIBER ART

- 18 C 1 Basketry or braiding
- 18 C 2 Counted cross-stitch
- 18 C 3 Embroidery
- 18 C 4 Latch hook
- 18 C 5 Macramé
- 18 C 6 Needle point
- 18 C 7 Stamped cross stitch
- 18 C 8 Weaving
- 18 C 9 Yarn Craft
- 18 C 10 Any other fiber art not listed above

CLASS D — LEATHERWORK

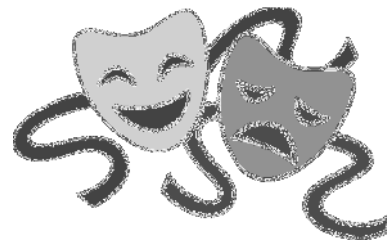
- 18 D 1 Article for home use
- 18 D 2 Article of apparel/accessory
- 18 D 3 Any other leatherwork not listed above



CLASS E — MUSIC, DRAMA & DANCE

- ◆ All accompaniment, instruments, equipment must be provided by the exhibitor. Accompaniment may be on tape/CD
- ◆ All performers must provide a performance copy for the Judge. Photocopy and editing are acceptable.
- ◆ Duet/Group Performances, where there are two different age groups, will be judged in the oldest age group
- ◆ Exhibitors may perform pieces of their choice that have not previously been performed at the Florence County Fair
- ◆ Lip-syncing is not allowed
- ◆ Performances should be age appropriate
- ◆ Performances will be judged on Thursday, August 23 during exhibit judging. Exhibitors are encouraged to perform during the fair itself as well. Contact the fair office to schedule a performance time.
- ◆ Time limit: Grades 3-5 no less than 1 minute or more than 4 minutes; Grades 6 and up: no less than 2 minutes or more than 7 minutes; Group Performances no less than 2 minutes or more than 10 minutes

- 18 E 1 Clown outfit
- 18 E 2 Dance performance, duet
- 18 E 3 Dance performance, group
- 18 E 4 Dance performance, solo
- 18 E 5 Display about clown make-up
- 18 E 6 Drama activity story w/picture
- 18 E 7 Drama performance, dramatic reading
- 18 E 8 Drama performance, humorous reading
- 18 E 9 Drama performance, monologue
- 18 E 10 Drama performance, poetry reading
- 18 E 11 Drama performance, puppet show
- 18 E 12 Drama performance, skit - duo
- 18 E 13 Drama performance, skit - group
- 18 E 14 Drama performance, skit - solo
- 18 E 15 Drawing of clown face
- 18 E 16 Educational drama project
- 18 E 17 Handmade puppet
- 18 E 18 Instrumental performance, duet
- 18 E 19 Instrumental performance, group
- 18 E 20 Instrumental performance, solo
- 18 E 21 Photo story clown performance
- 18 E 22 Play reading project
- 18 E 23 Poster on music project
- 18 E 24 Scrapbook on music project
- 18 E 25 Vocal performance, duet
- 18 E 26 Vocal performance, group
- 18 E 27 Vocal performance, solo
- 18 E 28 Any other music/drama project not listed



CLASS F — TEXTILES

- 18 F 1 Article of appliqué
- 18 F 2 Article of screen printing
- 18 F 3 Batik work
- 18 F 4 Liquid embroidery
- 18 F 5 Quilted article
- 18 F 6 Silk-screening
- 18 F 7 Tie dyeing
- 18 F 8 Any other textile article not listed



CLASS G — WOOD, PAPER, & NATURAL MATERIAL

- 18 G 1 Block print
- 18 G 2 Calligraphy
- 18 G 3 Card Making-Any other, 2 cards
- 18 G 4 Card Making-Birthday, 2 cards
- 18 G 5 Card Making-Christmas, 2 cards
- 18 G 6 Card Making-Thank You, 2 cards
- 18 G 7 Collage with paper or wood
- 18 G 8 Corn husk craft
- 18 G 9 Creative lettering
- 18 G 10 Creative woodworking project
- 18 G 11 Decoupage article
- 18 G 12 Origami, animal

- 18 G 13 Origami, any other not listed
- 18 G 14 Origami, container
- 18 G 15 Origami, flower
- 18 G 16 Paper Mache
- 18 G 17 Paper-making project
- 18 G 18 Pine cone craft
- 18 G 19 Pressed flower craft
- 18 G 20 Quilling art
- 18 G 21 Rock craft
- 18 G 22 Rock painting
- 18 G 23 Rubber stamping, bookmark
- 18 G 24 Rubber stamping, card
- 18 G 25 Stencil painting
- 18 G 26 Vegetable print
- 18 G 27 Any other wood, paper or natural material craft not listed



CLASS H — MISCELLANEOUS

- 18 H 1 Arrangement of silk flowers
- 18 H 2 Beadwork item
- 18 H 3 Christmas craft
- 18 H 4 Christmas ornament
- 18 H 5 Creative candle project
- 18 H 6 Creative egg project
- 18 H 7 Glass etching
- 18 H 8 Handicraft of glass
- 18 H 9 Handicraft of metal or wire
- 18 H 10 Handicraft of natural material
- 18 H 11 Item made with duct tape
- 18 H 12 Jewelry Making, beaded bracelet
- 18 H 13 Jewelry Making, beaded necklace
- 18 H 14 Jewelry Making, cast construction
- 18 H 15 Mosaic
- 18 H 16 Plaster craft
- 18 H 17 Plastic canvas item, decorative
- 18 H 18 Plastic canvas item, useful
- 18 H 19 Rainbow Loom, accessory
- 18 H 20 Rainbow Loom, jewelry
- 18 H 21 Rainbow Loom, person/animal
- 18 H 22 Rainbow Loom, any other not listed
- 18 H 23 Sand Art
- 18 H 24 Sand candle
- 18 H 25 Sun catcher
- 18 H 26 Any other craft not listed above
- 18 H 27 An article made in school

